



CLASS 7004 TYPE MKO-1 NEMA SIZE 8, 1350 AMPERE, DC CONTACTOR SINGLE POLE, NORMALLY OPEN, SERIES A

DESCRIPTION

The Class 7004 Type M contactor is a dc magnetic, mill-type, clapper device and is designed to meet NEMA Standards.

CONTACTOR RATINGS - MAXIMUM

600 volts dc 40°C Ambient

Open 8 Hour Ratings		Enclosed Ratings		Crane Ratings	
DC Amperes	DC Motor Horsepower @ 230 vdc	DC Amperes	DC Motor Horsepower @ 230 vdc	DC Amperes	DC Motor Horsepower @ 230 vdc
1350	350	1215	315	1800	500

OPERATING COILS DATA

DC Voltage Rating	Coil Part No.	Nominal OHMS At 20°C
230 / 240	C51022-056-71	401
115 / 120	C51022-056-74	94

The operating coils are designed in accordance with NEMA Standards to withstand 110% of rated voltage continuously and to operate the contactor successfully at 80% of rated voltage. Standard coil voltages are 115/120 volt and 230/240 volt. For other available coil voltages refer to Class 9998 Coil Data Catalog Sheet.

ELECTRICAL INTERLOCKS

Electrical interlocks are rated in accordance with NEMA Standard ICS-2-125 (A600 and N600 Table Ratings).

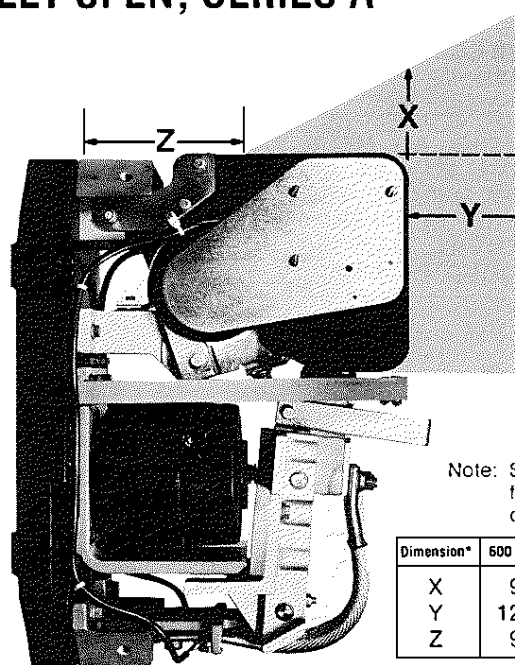
A600	Maximum Continuous Amperes	Maximum Make and Break Current Amperes							
		120V		240V		480V		600V	
		Make	Break	Make	Break	Make	Break	Make	Break
AC	10	60	6	30	3	15	1.5	.12	1.2

N600	Maximum Continuous Amperes	Maximum Make and Break Current Amperes					
		125V		250V		600V	
		Make	Break	Make	Break	Make	Break
DC	10	2.2	2.2	1.1	1.1	.4	.4

Electrical interlocks consist of stationary contacts mounted on the contact arm support (22) and moving contacts attached to the bottom of the contact arm (21). A set of electrical interlocks contains one normally open and one normally closed double break contacts. Make and break ratings apply for double throw contacts only when both the normally open and normally closed contacts are connected to the same polarity.

CONTACT TIPS

The movable and stationary power contact tips are identical. Copper power contact tips are standard. Silver faced power contact tips are available and are recommended for applications where the contactors remain closed for long periods of time. Silver faced contact tips are standard on crane manual magnetic disconnect switches and are optional on dc starters.



Note: Shaded area for arcing clearances.

Dimension*	600 VDC	240 VDC
X	9"	4.5"
Y	12"	4.5"
Z	9"	7.0"

* To grounded, uninsulated panel
Electrical Clearances

Figure 1

INSTALLATION

1. Unpack contactor carefully. Remove shipping tape (if used).
2. Check nameplate data for correct equipment. Check that the contactor operating coil (36) is the correct voltage.
3. Check that all parts are undamaged and secure.
4. Mount the contactor vertically on a rigid support and fasten down tightly using a plain washer against the contactor base. Provide the clearance shown in Figure 1 above the top of the contactor and in front of the arc chute for pivoting or removal of the arc chute and for electrical clearances.
5. With all power removed, mount auxiliary devices such as mechanical or electrical interlocks, if used, on contactor. Install and adjust these auxiliary devices by the procedure in the instruction sheets provided with the devices.
6. With all power removed, pivot the arc chute upwards and operate the contactor by hand. The contact tips (9) should meet squarely. If they do not, align them by the procedure in the ADJUSTMENT—Contact Tip Alignment instructions in this Service Bulletin.
7. Pivot the arc chute back to its proper position.

CAUTION: DO NOT OPERATE THE CONTACTOR UNDER LOAD UNLESS THE ARC CHUTE IS PIVOTED TO THE FULLY DOWN POSITION.

8. Check the wiring diagram before connecting the contactor coil leads, power contact leads and interlock leads. The operating coil circuit voltage may be different than the power circuit voltage.

CAUTION: FAILURE TO CONNECT THE OPERATING COIL TO THE PROPER VOLTAGE MAY RESULT IN IMPROPER CONTACTOR OPERATION OR DAMAGE TO THE COIL.

WARNING: ALL METAL PARTS OF THE CONTACTOR MAY BE AT LINE VOLTAGE. ALL POWER MUST BE DISCONNECTED FROM THE CONTACTOR BEFORE PERFORMING ANY ADJUSTMENT, MAINTENANCE OR TROUBLESHOOTING PROCEDURES.

ADJUSTMENT

CONTACT TIP ALIGNMENT

1. With all power removed, pivot the arc chute upward.
2. Check that the proper slot in the new movable contact tip is engaged with the ridge located on the auxiliary arm (12) (Fig. 2).

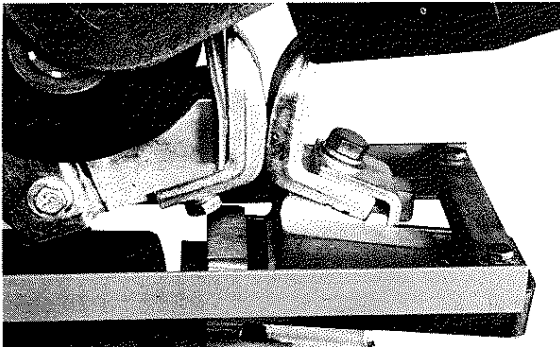


Figure 2

3. Check that the stationary contact tip is against the stationary support seat or the blowout coil guard (3) (Fig. 2).
4. Check that the contact tip surfaces are aligned both vertically and horizontally (Fig. 2).
5. Check adjustment of the mechanical interlocks by the procedure listed in the ADJUSTMENT—Mechanical Interlock instructions in this Service Bulletin.
6. Pivot the arc chute back to its proper position.

CAUTION: DO NOT OPERATE THE CONTACTOR UNDER LOAD UNLESS THE ARC CHUTE IS PIVOTED TO THE FULLY DOWN POSITION.

ELECTRICAL INTERLOCKS

1. With all power removed, check that the electrical interlock (47) has the proper follow-up. With new electrical interlock contacts, the moving contacts (50) should provide at least 1/16" follow-up on each stationary contact when the contact arm reaches its limit of travel; either completely closed or completely opened (Fig. 3).

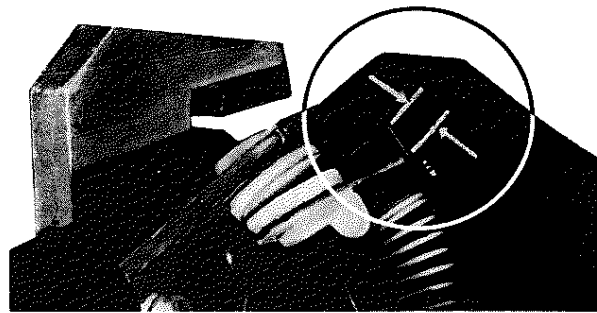


Figure 3

2. Check that the normally closed electrical interlock contacts open before the power contact tips close.
3. Electrical interlock follow-up can be adjusted by bending the stationary contacts (54 & 55).

MECHANICAL INTERLOCK

1. With all power removed, check that the mechanical interlock allows the contact arm (21) of either contactor to reach its limit of travel; either completely closed or completely open without binding.
2. Hold the contact arm of the left contactor fully closed and push closed the contact arm of the right contactor until stopped by the mechanical interlock. Check that there is a gap of at least 1/32" but not more than 1/16" between the inside edge of the stop bracket (42) and the back surface of the auxiliary arm (12) (Fig. 4).



Figure 4

3. If the gap is not within the limits, adjust the mechanical interlock as follows: Loosen the two screws that hold the mechanical interlock to the stop bracket and move the mechanical interlock until the desired gap is achieved.
4. Repeat steps 2 and 3 above holding the right contactor in the fully closed position.
5. Push in one contactor to the kiss position and check that the other contactor does not come to the kiss position at the same time.
6. If both contactors come to the kiss position at the same time, repeat steps 2 to 5 decreasing the gap but still maintaining at least 1/32".
7. Again check that the mechanical interlock allows the contact arm of either contactor to reach its limit of travel; either completely closed or completely open without binding.

WARNING: ALL METAL PARTS OF THE CONTACTOR MAY BE AT LINE VOLTAGE. ALL POWER MUST BE DISCONNECTED FROM THE CONTACTOR BEFORE PERFORMING ANY ADJUSTMENT, MAINTENANCE OR TROUBLESHOOTING PROCEDURES.

MAINTENANCE

LUBRICATION

No lubrication is required. The contactor is supplied with permanently lubricated oil impregnated bearings.

CONTACT TIP INSPECTION

The contact tips should be either repositioned or replaced when the contact follow-up is less than 1/16" (Fig. 5). The movable contact tip can be adjusted for additional tip life by repositioning so that the proper slot in the movable contact tip is engaged with the ridge located on the auxiliary arm (12) as shown (Fig. 5). Align the contact tips to meet squarely by the procedure in the ADJUSTMENT—Contact Tip Alignment instructions in this Service Bulletin using Figure 5 instead of Figure 2 for reference.

CAUTION: AFTER REPOSITIONING THE MOVABLE CONTACT TIP, CHECK THE ADJUSTMENT OF THE MECHANICAL INTERLOCK.

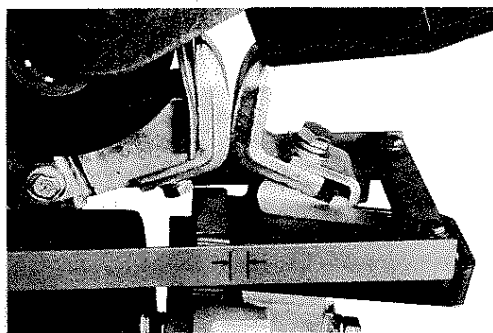


Figure 5

CONTACT TIP REPLACEMENT

1. With all power removed, pivot the arc chute upward.
2. Remove the movable contact tip by removing the silicon bronze hex head cap screw, washer and lockwasher located on auxiliary arm (12).
3. Remove the stationary contact tip by removing the silicon bronze hex head cap screw, washer and lockwasher located on blowout coil assembly (2).
4. Install the new stationary contact tip using the silicon bronze hex head cap screw, washer and lockwasher.
5. Install the new movable contact tip using the silicon bronze hex head cap screw, washer and lockwasher.

CAUTION: FAILURE TO INSTALL THE NEW MOVABLE CONTACT TIP WITH THE PROPER SLOT ENGAGED IN THE RIDGE ON THE AUXILIARY ARM MAY RESULT IN IMPROPER CONTACTOR OPERATION.

6. Manually operate the contactor and check the contact tips for alignment. Align the contact tips to meet squarely by the procedure in the ADJUSTMENT—Contact Tip Alignment instruction in this Service Bulletin.

CAUTION: CHECK THE ADJUSTMENT OF THE MECHANICAL INTERLOCK.

7. Pivot the arc chute back to its proper position.

CAUTION: DO NOT OPERATE THE CONTACTOR UNDER LOAD UNLESS THE ARC CHUTE IS PIVOTED TO THE FULLY DOWN POSITION.

COIL REPLACEMENT

1. With all power removed, disconnect the coil leads.
2. Disconnect the top end of the shunt (20) by removing hex head nuts, lockwashers, washers and the shunt.
3. Remove the contact arm pin (23) by removing the hex head nut, lockwasher and set screw (25).
4. Remove the contact arm assembly (21).
5. Remove the silicon bronze hex head cap screw (32) on the front of the magnet core and remove the lockwasher (33), core cap spacer (34), core cap (35) and coil (36).
6. Install the new coil using the core cap, core cap spacer and lockwasher and tighten the silicon bronze hex head screw. Note that the steel core cap, which is thicker than the non-magnetic phosphor bronze spacer, must be installed against the coil. (See Exploded View). Check that the spring washer (37) is so positioned that the outside edge is against the coil and not against the magnet frame (38).
7. Replace the contact arm. Check that opening spring (28) is seated properly over hex head cap screw (32).
8. Replace contact arm pin and tighten set screw and hex head nut.
9. Check that auxiliary arm pin (26) is centered and set screw (17) is tight.
10. Connect the top end of shunt by replacing washers, lockwashers and hex head nuts.
11. Reconnect the coil leads.

ARC CHUTE REPLACEMENT

1. With all power removed, disconnect the arc chute wires by removing the hex head cap screws (45), lockwashers (10), washers (41), arc chute wires and shunt (20).
2. Disassemble the arc chute wires from the contactor base.
3. Remove the arc chute by removing hex head nut (16), lockwasher (6), washer (18), hex head cap screw (15) and the arc chute.
4. Install the new arc chute using hex head cap screw, washer and lockwasher and secure with hex head nut.
5. Reposition the arc chute wires along the contactor base.
6. Reconnect arc chute wires (Fig. 6) and shunt, using the washers, lockwashers and hex head cap screws.

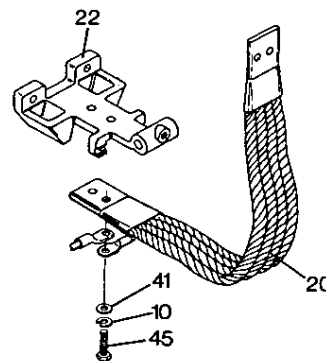


Figure 6

CAUTION: SHUNT MUST BE DIRECTLY AGAINST CONTACT ARM SUPPORT TO PROVIDE PROPER CONNECTION.

7. Rotate arc chute back to its proper position.

CAUTION: DO NOT OPERATE THE CONTACTOR UNDER LOAD UNLESS THE ARC CHUTE IS PIVOTED TO THE FULLY DOWN POSITION.

SHUNT REPLACEMENT

The shunt (20) should be replaced when the flexible braided wires are broken or burned or if the wires are loose in the terminal connectors on either end of the shunt.

1. With all power removed, disconnect the bottom end of the shunt (20) by removing hex head cap screws, lockwashers, washers, arc chute wires and shunt.
2. Disconnect the top end of the shunt (20) by removing hex head nuts, lockwashers, washers and the shunt.
3. Check that auxiliary arm pin (26) is centered and set screws (17) are tight.
4. Install the new shunt. Connect the top end of the shunt by replacing washers, lockwashers and hex head nuts.
5. Connect the bottom end of the shunt by replacing the shunt, arc chute wires, washers, lockwashers and hex head cap screws (Fig. 6).

CAUTION: SHUNT MUST BE DIRECTLY AGAINST CONTACT ARM SUPPORT TO PROVIDE PROPER CONNECTION.

6. Pivot the arc chute back to its proper position.

CAUTION: DO NOT OPERATE THE CONTACTOR UNDER LOAD UNLESS THE ARC CHUTE IS PIVOTED TO THE FULLY DOWN POSITION.

ELECTRICAL INTERLOCK REPLACEMENT

The electrical interlock contact tips should be replaced when inspection of the contacts shows that they are burned or badly pitted. It is recommended that the entire electrical interlock assembly be replaced from a kit. However, the contact tips only can also be replaced. Note position of the leads so they can be replaced.

Electrical Interlock Assembly Replacement

1. With all power removed, loosen terminal clamps and screws and remove terminal leads from the stationary contact assembly. Note position of the leads so they can be properly replaced.
2. Remove the movable contact assembly by removing the slotted screws (48), lockwashers (49) and washers (57).
3. Remove the stationary contact assembly by removing the slotted screw (53) and washer (57).
4. Install new stationary contact assembly by replacing the stationary contact assembly washer and slotted screw making sure to position stationary contact assembly as shown on the exploded view drawing.
5. Install new movable contact assembly by replacing the washers, lockwashers and slotted screws making sure to position movable contact assembly as shown on exploded view drawing.
6. Manually operate the contactor and check the moving contacts for follow-up by the procedure in the ADJUSTMENT—Electrical Interlock instructions in this

Service Bulletin.

7. Replace the terminal leads.

Electrical Interlock Contact Tip Replacement

1. After the electrical interlock assembly has been removed from the contactor the contact tips can be replaced.
2. Remove both sets of movable contact tips (50) from the movable contact assembly by compressing the spring (52) and retainers (51) and sliding out the movable contact tips.
3. Install both sets of new movable contact tips by compressing the spring and retainers and sliding in the movable contact tips.
4. Remove both top stationary contact tips (55) from the stationary contact assembly by removing the screws and washers which hold them in place.
5. Remove the terminal clamps and screws from the top stationary contact tips (55).
6. Install both new top stationary contact tips by replacing the top stationary contact tips, screws, and terminal clamps and screws.
7. Remove both bottom stationary contact tips (54) from the stationary contact assembly by removing the screws and terminal clamps.
8. Install both new bottom stationary contact tips by replacing the bottom stationary contact tips, terminal clamps and screws.
9. Manually operate the contactor and check the moving contacts for follow-up by the procedure in the ADJUSTMENT—Electrical Interlock instructions in this Service Bulletin.
10. Replace the terminal leads.

OPENING SPRING REPLACEMENT

1. With all power removed, disconnect the top end of the shunt (20) by removing hex head nuts, lockwashers, washers and the shunt.
2. Slide out the contact arm pin (23) after removing the hex head nut, lockwasher and set screws (25).
3. Remove the contact arm (21).
4. Remove the opening spring (28) by removing the two hex head cap screws (39), lockwashers, washers and armature plate (29).
5. Install new opening spring by inserting the narrow end of the spring through the hole in the armature plate so that the wide end of the spring is between the armature plate and the contact arm.
6. Fasten the armature plate to the contact arm by using washers, lockwashers, and hex head cap screws.
7. Check that there is no gap between the armature plate and the contact arm. This indicates that the opening spring is properly seated between the armature plate and the contact arm.
8. Replace contact arm assembly. Check that opening spring is seated properly over hex head screw (32).
9. Replace contact arm pin, set screw, lockwasher and hex head nut. Tighten set screw and hex head nut.
10. Connect the top end of the shunt by replacing washers, lockwashers and hex head nuts.

WARNING: ALL METAL PARTS OF THE CONTACTOR MAY BE AT LINE VOLTAGE. ALL POWER MUST BE DISCONNECTED FROM THE CONTACTOR BEFORE PERFORMING ANY ADJUSTMENT, MAINTENANCE OR TROUBLESHOOTING PROCEDURES.

TROUBLESHOOTING

Refer to the Operating Coil Data Table in this bulletin for coil ratings.
Refer to Contactor Ratings Table in this bulletin for contactor ratings.

TROUBLE	POSSIBLE CAUSE	REMEDY
Contacts will not close or operation is sluggish.	<ol style="list-style-type: none"> 1. Improper or defective operating coil. 2. Low control circuit voltage. 3. Loose connection in control circuit. 4. Mechanical interference or binding. 	<ol style="list-style-type: none"> 1. Check coil part number and resistance to determine if coil is defective. 2. Check that control circuit voltage is a minimum of 80% of rated coil voltage. If it is zero, the problem is elsewhere in the circuit. 3. Check connections and tighten if loose. 4. Check for mechanical interference or binding: <ol style="list-style-type: none"> 4a. Check mechanical interlock interference by disconnecting it from the contactor that is binding. Refer to ADJUSTMENT—Mechanical Interlock instructions in this Service Bulletin. 4b. Check that the tie bar is not causing binding. 4c. Manually close the contact arm and check that cap screw head on core of magnet frame assembly clears the hole in the armature plate. 4d. Manually close the contact arm, check that the auxiliary arm bearings are not binding.
Contact tips overheating, short contact tip life.	<ol style="list-style-type: none"> 1. Loose connections. 2. Movable or stationary contact tip not properly aligned. 3. Foreign matter on contact surfaces. 4. Contact tips worn beyond recommended limits. 5. Contact surfaces severely scored or burned. 6. Arc chute not properly installed. 7. Defective opening spring. 8. Normal load currents below 5% of rated current of contactor. 	<ol style="list-style-type: none"> 1. Check contact tips and shunt connections and tighten if loose. 2. Align contact tips by the procedure listed in the ADJUSTMENT—Contact Tip Alignment instructions in this Service Bulletin. 3. Remove foreign matter. 4. Check for contact wear by the procedure listed in the MAINTENANCE—Contact Tip Replacement instructions in this Service Bulletin. 5. Inspect contact surfaces and dress with a file as required. 6. Check that arc chute is pivoted to the fully down position. 7. Replace the spring. 8. Use a smaller size contactor.
Operating Coil Overheats.	<ol style="list-style-type: none"> 1. Improper or defective coil. 2. High voltage condition on coil. 3. Loose connection at coil terminals. 	<ol style="list-style-type: none"> 1. Check coil part number and resistance to determine if coil is defective. 2. Check that control circuit voltage does not exceed 110% of rated coil voltage. 3. Check connection and tighten if loose.

**PARTS LIST FOR CLASS 7004 TYPE MKO-1 NEMA SIZE 8, 1350 AMPERE, DC CONTACTOR
SINGLE POLE, NORMALLY OPEN, SERIES A**

Item	Part No. ■	Description	Item	Part No. ■	Description
1	D51021-117-50	Arc Chute	†36	C51022-056-74 (115/120) C51022-056-71 (230/240)	Operating Coil
2	C51022-138-50	Blowout Coil Assembly	37	A51022-041-02	Spring Washer
3	B51021-052-50	Blowout Coil Guard	38	D51021-083-01	Magnet Frame
4		1/4 Plain Washer	39		3/8 - 16 x 1 1/4 Hex Head Cap Screw (4 Req'd)
5		1/4 Lockwasher	40	E51021-064-50	Contactor Base
6		3/8 Lockwasher (15 Req'd)	41		1/2 Plain Washer (8 Req'd)
7		3/8 - 16 x 1 Hex Head Cap Screw (8 Req'd)	42	B51021-093-50	Stop Bracket
8		1/4 - 20 x 7/8 Hex Head Cap Screw	43		3/8 - 16 x 3 Hex Head Cap Screw
†9	Class 9998 Type MK-1	Contact Tip Kit (Copper) consisting of 2 - Sets of Tips and Hardware	44		1/2 - 13 x 1 1/4 Hex Head Cap Screw (2 Req'd)
	or A50005-025-01	Bulk Package of 30 - Copper Contact Tips	45		1/2 - 13 x 1 1/2 Hex Head Cap Screw (2 Req'd)
	or Class 9998 Type MK-2	Contact Tip Kit (Silver) consisting of 2 - Sets of Tips and Hardware	46	C51021-069-01	Auxiliary Arm Shunt
10		1/2 Lockwasher (8 Req'd)	†47	Class 9999 Type MX-11	Electrical Interlock Kit
11		1/2 - 13 x 1 1/4 Silicon Bronze Hex Head Cap Screw (2 Req'd)		or C51075-038-54	Bulk Pack of 5 sets of Replacement Electrical Interlock Contacts consisting of
12	B51021-100-50	Auxiliary Arm			10 - Movable contact tips (item 50)
13	B50502-602-37	Auxiliary Arm Spring			10 - Bottom stationary contact tip (item 54)
14	B51021-089-01	Auxiliary Arm Spring Retainer			10 - Top stationary contact tip (item 55)
15		3/8 - 16 x 4 1/2 Hex Head Cap Screw			4 - Spring retainer (item 51)
16		3/8 - 16 Hex Head Nut (3 Req'd)			2 - Spring (item 52)
17	21802-28740	1/2 - 13 x 3/4 Headless Slotted Half Dog Point Set Screw (2 Req'd)	48		#10 - 24 x 1 Pan Head Screw (2 Req'd)
18		3/8 Plain Washer (3 Req'd)	49		#10 Lockwasher (2 Req'd)
19		1/2 - 13 Hex Head Nut (2 Req'd)	50		Movable contact tip (2 Req'd)
20	B51021-104-50	Shunt	51		Spring Retainer (2 Req'd)
21	D51021-115-01	Contact Arm	52		Spring
22	D51021-110-01	Contact Arm Support	53		#10 - 24 x 1/2 Pan Head Screw with captive lockwasher
23	A51019-251-10	Contact Arm Pin	54		Bottom stationary contact tip (2 Req'd)
24	29005-40243	Bushing (4 Req'd)	55		Top stationary contact tip (2 Req'd)
25	21802-24400	3/8 - 16 x 1 1/4 Headless Slotted Half Dog Point Set Screw	56		#10 - 24 x 1/2 Captive screw assembly with long shank and captive lockwasher
26	A51021-129-01	Auxiliary Arm Pin	57		#10 Plain Washer (3 Req'd)
27		1/4 - 20 x 1/2 Flat Head Screw (2 Req'd)			
28	B50502-602-36	Opening Spring			
29	B51021-094-01	Armature Plate			
30	C51139-241-29	Nameplate			
31		#6 - 32 x 1/4 Pan Head Screw (2 Req'd)			
32	21407-24320	3/8 - 16 x 1 Silicon Bronze Hex Head Cap Screw			
33	23711-22400	3/8 Silicon Bronze Lockwasher			
34	B50502-006-20	Core Cap Spacer			
35	B50502-006-19	Core Cap			

The following user modification kits are also available for this contactor:
Class 9999 Type MM-5 Mechanical Interlock Kit for 2 - S.P.N.O.
or 2 - D.P.N.O. contactors
Class 9999 Type MT-5 Tie Bar Kit for 2 - S.P.N.O. contactors
Class 9999 Type MK-3 Pneumatic Timer Kit

■ Standard hardware, listed without Square D Part Number, should be obtained from a local hardware supplier.
† Parts Recommended for General Maintenance.

