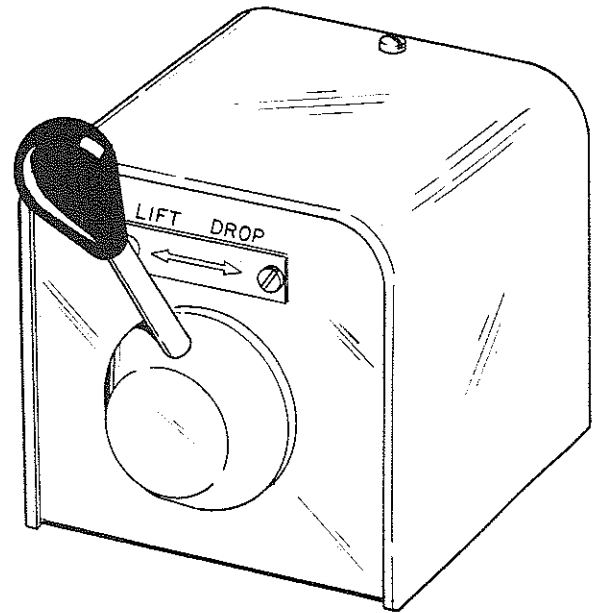
**TYPE MG-1 MASTER SWITCH****SERIES A****INSTRUCTIONS**

**GENERAL:** Type MG-1 Master Switch is a quick-make, quick-break switch of rugged construction providing double-break overlapping contacts, one normally open and one normally closed. Standard construction is for right hand operation. However, it can easily be changed for left hand operation by interchanging two wires and turning the "Lift-Drop" nameplate. The switch can be mounted vertically or horizontally.

**BEARINGS:** All bearings are of nylon and require no lubrication.

**CONTACTS:** The four stationary contact fingers are of phosphor bronze and are easily removed from the terminal board by loosening the fastening screws at the back.

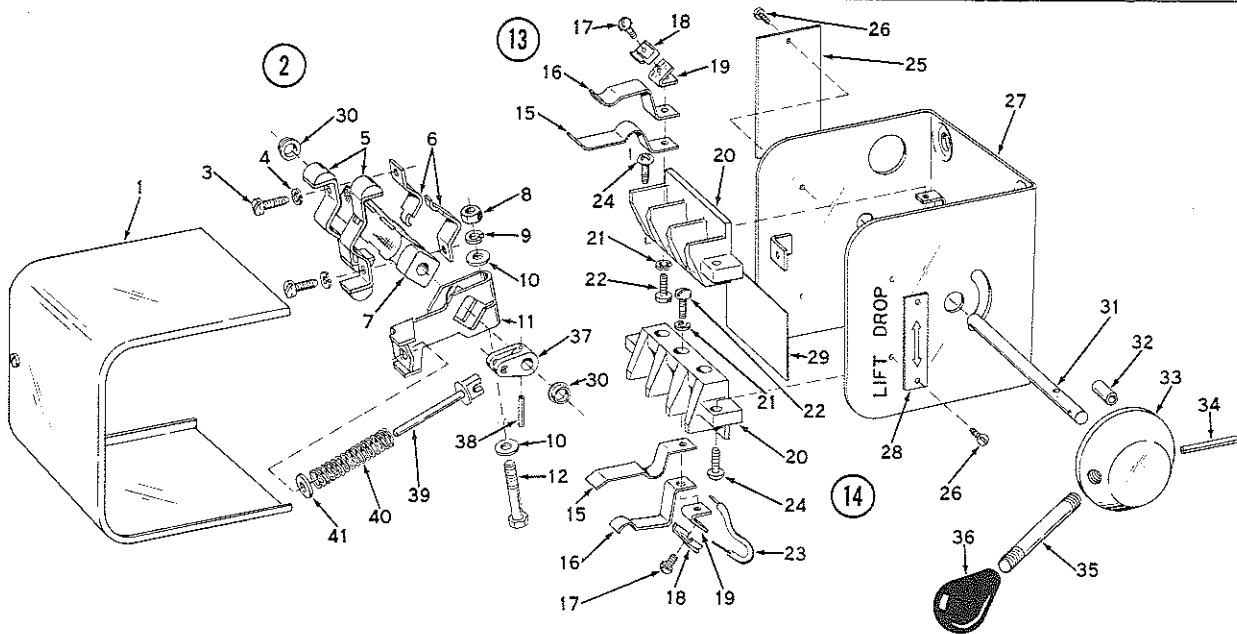
The movable contacts include oil filled contact tips and can be removed from the insulator bar by removing the clamping screws. If necessary, the movable contact assembly can be removed from the case by removing the roll-pin from the operating shaft and pulling the shaft out through the front of the case.



Type MG-1 Master Switch contacts are rated as follows for D.C. and A.C. inductive loads (such as EC&M Type L and LZ contactors).

	A.C. 240V	D.C. 250V
Inrush Amperes	25	--
Continuous Amperes	25	25
Interrupting Amperes	25	3.0

**MG-1 MASTER SWITCH SERIES A**



PRINTED IN U. S. A. 6/65

Item No.	List No.	Description	Item No.	List No.	Description
1	A5-1092-008-50	Cover Assembly .....	22	21507-12120	No. 6-32x3/8" Pan H. Steel Screw, 4 req'd .....
2	A5-1092-021-50	Square Insulator Assembly .....	23		No. 12 Rockbestos Wire Jumper - 3" long (L H block only) .....
3	21507-16160	No. 10-24x1/2" Pan H. Slot- ted Screw, 2 req'd .....	24	21527-14160	No. 8-32x1/2" Type C Thread Forming Screw, 4 req'd .....
4	23701-00160	No. 10 Lock Washer, 2 req'd.	25	A5-1139-062-01	Name Plate .....
5	A5-1092-014-50	Movable Contact Assembly, 2 req'd .....	26	21527-12080	No. 6-32x1/4" Pan H. Type C Thread Forming Screw, 4 req'd .....
6	A5-1092-013-01	Clamp, 2 req'd .....	27	B5-1092-006-50	Frame Assembly .....
7	A5-1092-018-01	Square Insulator .....	28	A5-1139-062-02	Name Plate .....
8	23003-00200	1/4-20 Hex. Steel Jam Nut ..	29		1-11/16"x3-3/16"x. 015" Fish Paper Insulator .....
9	23701-00200	1/4" Lock Washer .....	30	FP24S-10	Nylon Bearing, 2 req'd .....
10	23602-11609	1/4" Plain Washer, 2 req'd.	31	A5-1092-016-01	Operating Shaft .....
11	A5-1092-010-01	Kick Arm .....	32	24209-16200	1/4"x5/8" Roll Pin .....
12	21401-20480	1/4-20x1-1/2" H. Steel Cap Screw .....	33	A5-1092-011-01	Handle Base .....
13	A5-1092-022-50	Terminal Block Assembly, Right Hand .....	34	24209-08401	1/8"x1-1/4" Roll Pin .....
14	A5-1092-022-51	Terminal Block Assembly, Left Hand .....	35	B5-0502-103-07	Handle Rod .....
15	A5-1092-017-01	Contact Finger, 4 req'd. ...	36	FP12A-15	Handle .....
16	A5-1092-024-01	Contact Guard, 4 req'd. ...	37	A5-1092-012-50	Operating Fork Assembly .....
17	1902-W16121	No. 10-24x3/8" S. E. M. S. Fastener, 2 req'd. ....	38	24209-08200	1/8"x5/8" Roll Pin .....
18	4087-D12-X1	Terminal, 4 req'd. ....	39	A5-1092-009-01	Toggle Spring Rod .....
19	1487-X50	Terminal Clamp, 4 req'd. ...	40	B5-0502-601-28	Spring .....
20	4087-C5-X1	Terminal Block, 2 req'd. ...	41	23602-11204	No. 10 Plain Washer .....
21	23701-00120	No. 6 Plain Lock Washer 4 req'd. ....			

**NOTE:** Indented items are component parts of item immediately preceding.

**ADVISE NAME PLATE MARKING WHEN ORDERING PARTS**