



## TYPE MG-1 MASTER SWITCH SERIES B

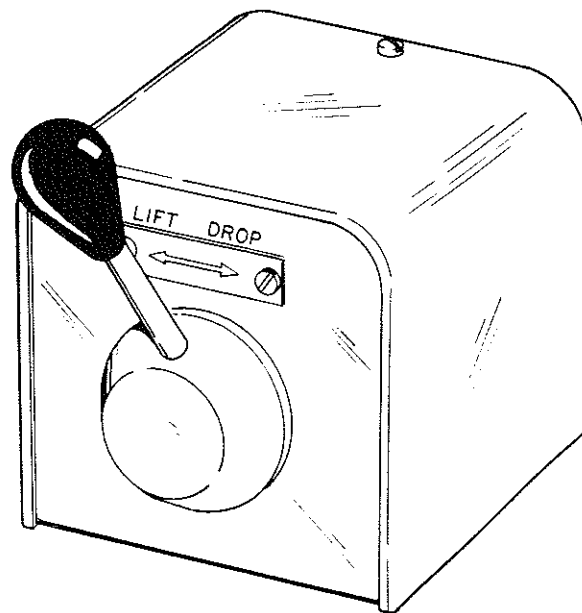
### INSTRUCTIONS

**GENERAL:** Type MG-1 Master Switch is a quick-make, quick-break switch of rugged construction providing double-break overlapping contacts, one normally open and one normally closed. Standard construction is for right hand operation. However, it can easily be changed for left hand operation by interchanging two wires and turning the "Lift-Drop" nameplate. The switch can be mounted vertically or horizontally.

**BEARINGS:** All bearings are of nylon and require no lubrication.

**CONTACTS:** The four stationary contact fingers are of phosphor bronze and are easily removed from the terminal board by loosening the fastening screws at the back.

The movable contacts include oil impregnated contact tips and can be removed from the insulator bar by removing the clamping screws. If necessary, the movable contact assembly can be removed from the case by removing the roll-pin from the operating shaft and pulling the shaft out through the front of the case.

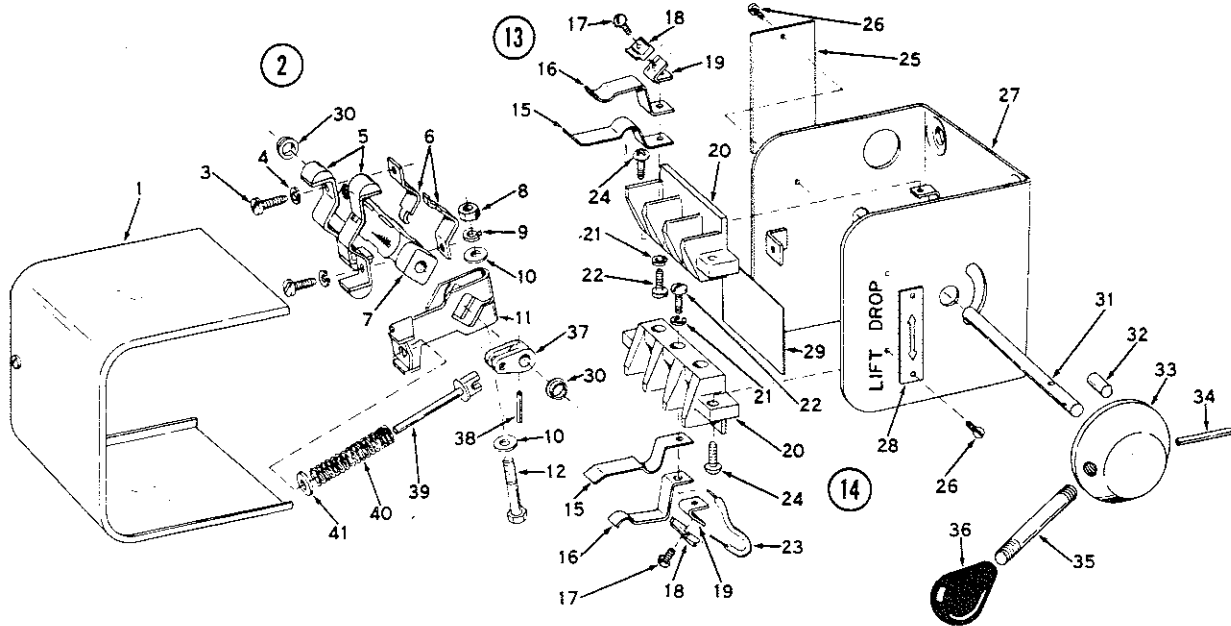


Type MG-1 Master Switch contacts are rated as follows for dc and ac inductive loads (such as Type L and LZ contactors).

	AC 240V	DC 250V
Inrush Amperes	25	--
Continuous Amperes	25	25
Interrupting Amperes	25	3.0



MG-1 MASTER SWITCH SERIES B



Item No.	List No.	Description	Item No.	List No.	Description
1	A5-1092-008-50	Cover Assembly .....	21	23701-00120	No. 6 Plain Lock Washer, 4 req'd.....
•2	A5-1092-037-50	Square Insulator Assembly.....	22	21507-12120	No. 6-32x3/8" Pan H. Steel Screw, 4 req'd. ....
3	21507-16160	No. 10-24x1/2" Pan H. Slotted Screw, 2 req'd. ....	23		No. 12 Rockbestos Wire Jumper - 3" long (L H block only).....
4	23701-00160	No. 10 Lock Washer, 2 req'd. ....	24	21527-14160	No. 8-32x1/2" Type C Thread Forming Screw 4 req'd. ....
5	A5-1092-014-50	Movable Contact Assembly, 2 req'd. ....	•25	A5-1139-095-01	Name Plate.....
6	A5-1092-013-01	Clamp, 2 req'd. ....	26	21527-12080	No. 6-32x1/4" Pan H. Type C Thread Forming Screw, 4 req'd. ....
•7	A5-1092-034-01	Square Insulator .....	•27	B5-1092-029-50	Frame Assembly.....
8	23003-00200	1/4-20 Hex. Steel Jam Nut.....	28	A5-1139-062-03	Name Plate.....
9	23701-00200	1/4" Lock Washer.....	29		1-11/16" x 3-3/16" x .015" Fish Paper Insulator.....
10	23602-11609	1/4" Plain Washer, 2 req'd. ....	30	A5-2910-002-01	Nylon Bearing, 2 req'd. ....
11	A5-1092-010-01	Kick Arm .....	③1	A5-1092-033-01	Operating Shaft.....
12	21401-20480	1/4-20x1-1/2" H. Steel Cap Screw .....	•32	24210-16280	1/4" x 7/8" Groove Pin.....
13	A5-1092-022-50	Terminal Block Assembly, Right Hand.....	•33	A5-1092-030-01	Handle Base.....
14	A5-1092-022-51	Terminal Block Assembly, Left Hand.....	34	24209-08401	1/8" x 1-1/4" Roll Pin.....
15	A5-1092-017-01	Contact Finger, 4 req'd.....	35	B5-0502-103-07	Handle Rod.....
16	A5-1092-024-01	Contact Guard, 4 req'd. ....	36	FP12A-15	Handle .....
17	1902-W16121	No. 10-24x3/8" S.E. M.S. Fastener, 2 req'd.....	•37	A5-1092-032-50	Operating Fork Assembly.....
18	4087-D12-X1	Terminal, 4 req'd. ....	38	24209-08200	1/8" x 5/8" Roll Pin.....
19	1487-X50	Terminal Clamp, 4 req'd.....	39	A5-1092-009-01	Toggle Spring Rod.....
20	4087-C5-X1	Terminal Block, 2 req'd. ....	40	B5-0502-601-28	Spring .....
			41	23602-11204	No. 10 Plain Washer.....

NOTE: Indented items are component parts of item immediately preceding.

ADVISE NAMEPLATE MARKING WHEN ORDERING PARTS

•Revised for Series B

SQUARE D COMPANY

NEW SHEET