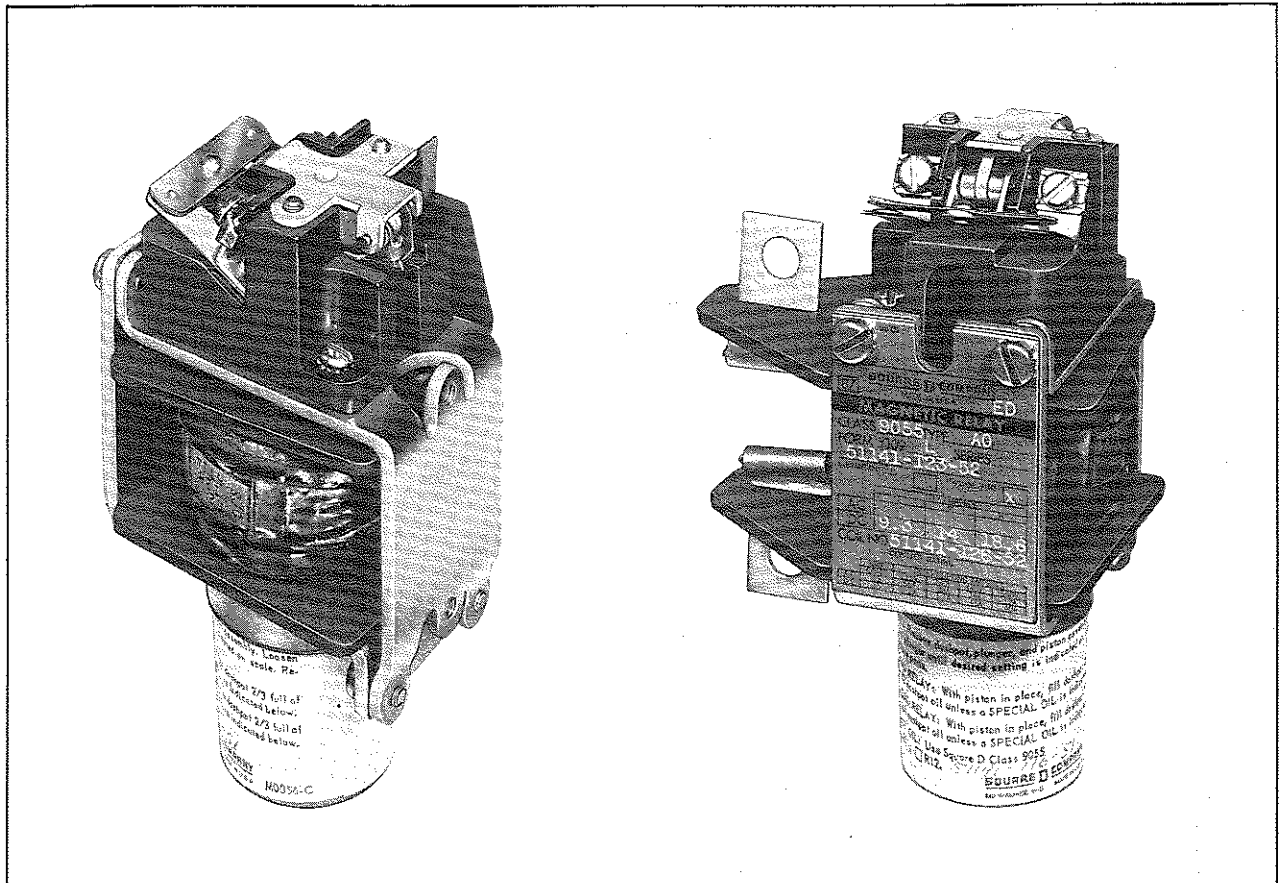




**TYPE AO AND NO  
FORM Y109 AND Y109HR OVERLOAD RELAY,  
SERIES A FOR AC AND DC OPERATION**



**DESCRIPTION**

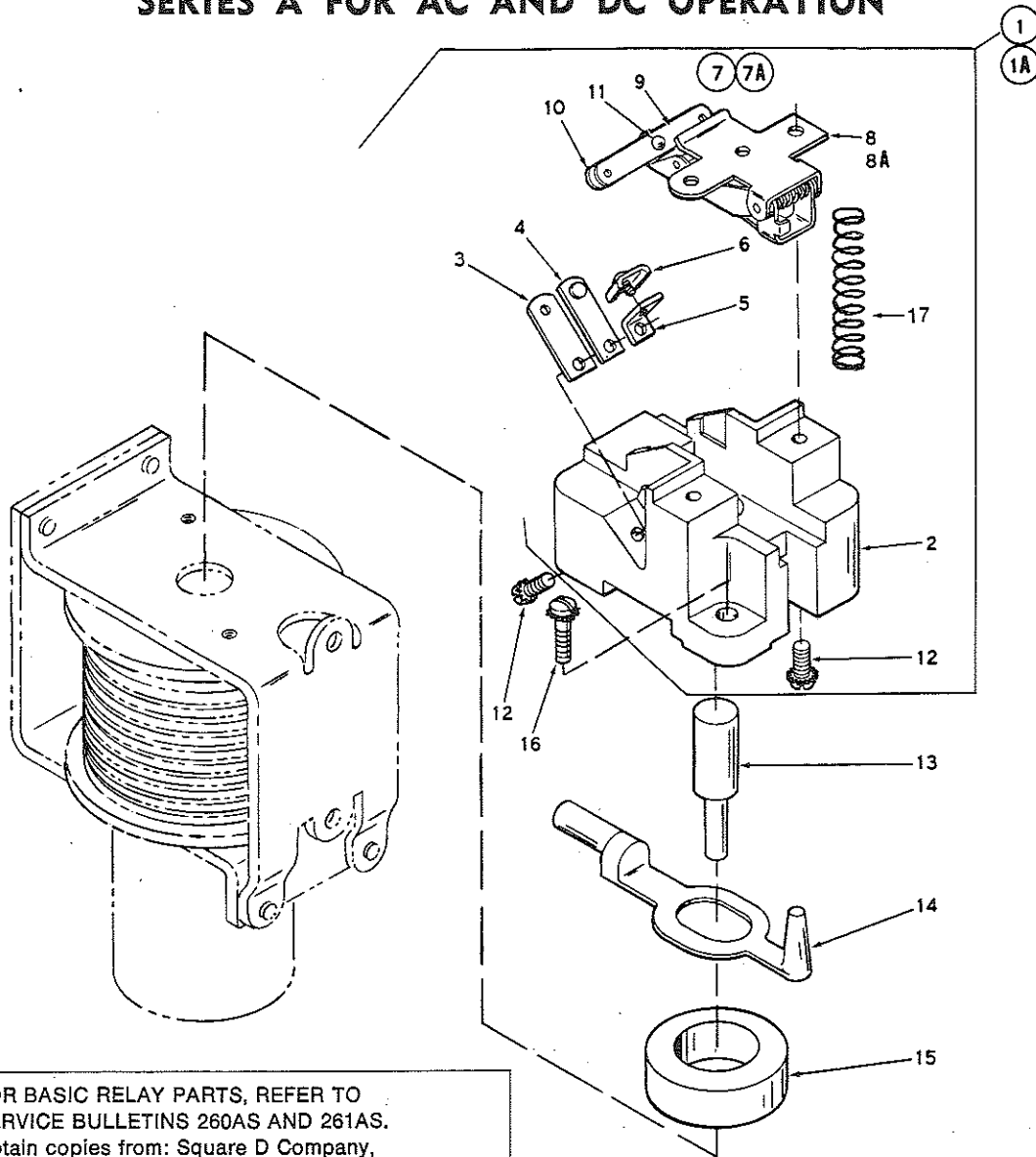
The Type AO or NO Form Y109 overload relay uses double break contacts instead of the single break contacts used on the standard Type AO or NO relay. The Form Y109 relay with the double break contacts is recommended where the overload contacts operate in a dc control circuit. This double break design provides reliable, low maintenance service for the heavy industry application of this relay.

All other parts not listed in this catalog are identical to those used on the standard relay and are covered in Service Bulletins 260AS for the Type AO relay and 261AS for the Type NO relay.

Refer to the relay nameplate to insure correct coil replacement.



**TYPE AO AND NO FORM Y109 AND Y109HR OVERLOAD RELAY, SERIES A FOR AC AND DC OPERATION**



NOTE: FOR BASIC RELAY PARTS, REFER TO SERVICE BULLETINS 260AS AND 261AS. Obtain copies from: Square D Company, Dept. SA, P. O. Box 472, Milwaukee, Wisconsin 53201.

Item No.	Part No.	Description	Item No.	Part No.	Description
†1	A5-1141-016-50	Assembled Contact Base	9	A5-1141-010-01	Contact Bridge Spring
*1A	A5-1141-016-51	Assembled Contact Base	10	A5-1141-010-50	Contact Bridge
2	C5-1141-017-01	Contact Base	*11		1/8 x 1/8 Copper Rivet
3	A5-1141-019-01	Contact Leaf Spring, 2 Req'd.	*12		#8-32 x 3/8 Machine Screw, with Lockwasher, 4 Req'd.
4	A5-1141-019-50	Contact Leaf, 2 Req'd.	13	A5-1141-013-01	Trip Pin
5	A5-1141-018-01	Terminal, 2 Req'd.	*14	750-D151-X1	Reset Lever
*6	214-D45-G1	Screw Terminal Clamp, 2 Req'd.	*15	B5-0512-052-04	Reset Lever Guide
†7	A5-1141-012-51	Contact Arm Assembly	*16		#8-32 x 7/16 Machine Screw, with Lockwasher, 2 Req'd.
*7A	A5-1141-012-50	Contact Arm Assembly	*17	50502-601-26	Finger Spring
†8	A5-1141-011-51	Contact Arm			
*8A	A5-1141-011-50	Contact Arm			

■ Standard hardware listed without a Square D part number, should be obtained from a local hardware supplier.  
 •Minor revision since previous issue. † Auto Reset Only, Form Y109 \* Hand Reset Only, Form Y109HR

**ADVISE NAMEPLATE MARKING WHEN ORDERING PARTS**

**SQUARE D COMPANY**